

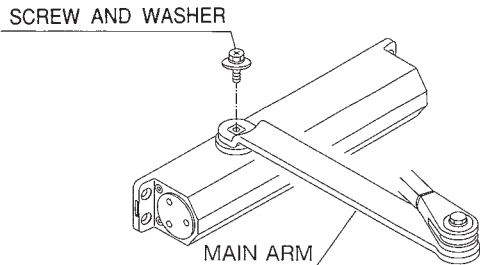
DOOR CLOSER

INSTALLATION INSTRUCTIONS (HOLD-OPEN ARM A45-501H)

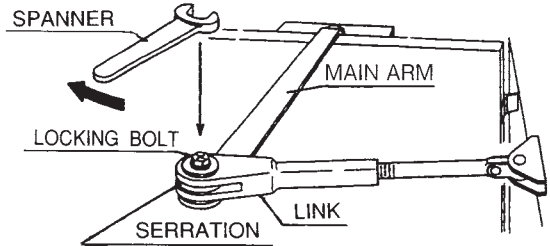
STANDARD APPLICATION

NOTE : BODY SHAPE MAY BE DIFFERENT SERIES BY SERIES.

1. ATTACH ARM TO BODY.

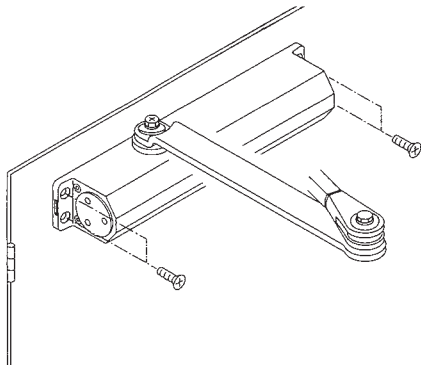


4. OPEN DOOR TO THE DESIRED HOLD-OPEN ANGLE AND FIRMLY FASTEN LOCKING BOLT WITH A SPANNER.

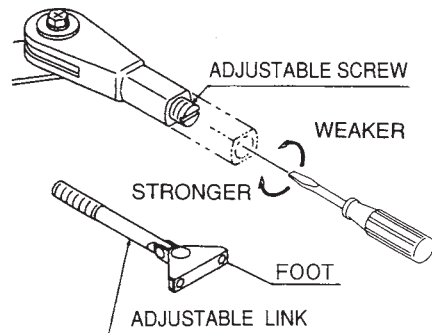


NOTE : DAMAGE TO THE HOLD-OPEN DEVICE MAY OCCUR IF THE LOCKING BOLT IS NOT FIRMLY TIGHTENED.

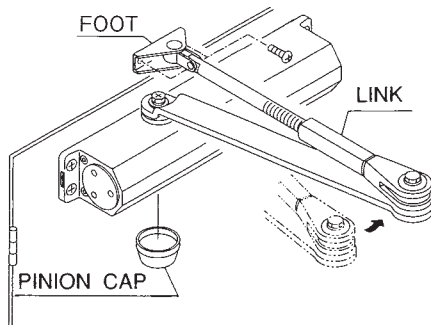
2. ATTACH BODY TO DOOR.



5. SCREW OUT ADJUSTABLE LINK. TURN ADJUSTABLE SCREW CLOCKWISE FOR STRONGER HOLD-OPEN FORCE. TURN ADJUSTABLE SCREW COUNTER-CLOCKWISE FOR WEAKER HOLD-OPEN FORCE.



3. POSITION STANDARD FOOT ON FRAME AND FASTEN WITH TWO SCREWS.

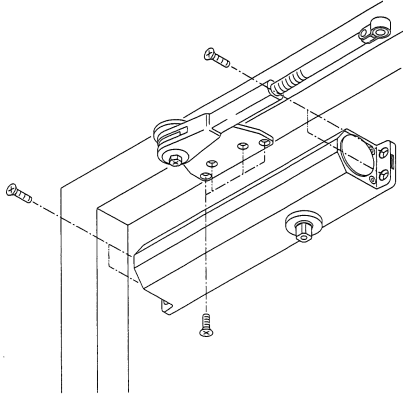


NOTE : ADJUST LENGTH OF ADJUSTABLE LINK TO OBTAIN A 90° ANGLE TO DOOR.

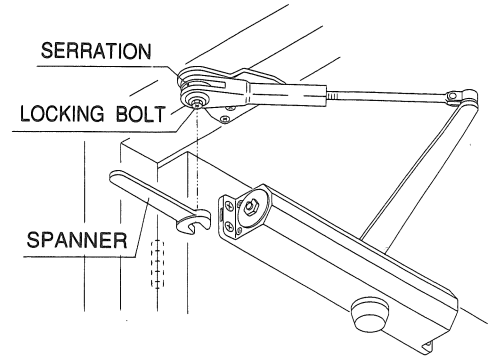
PARALLEL ARM APPLICATION (HOLD-OPEN ARM A45-503H)

NOTE : BODY SHAPE MAY BE DIFFERENT SERIES BY SERIES.

1. POSITION PARALLEL BRACKET ON FRAME AND FASTEN WITH FOUR SCREWS, AND ATTACH BODY TO DOOR.

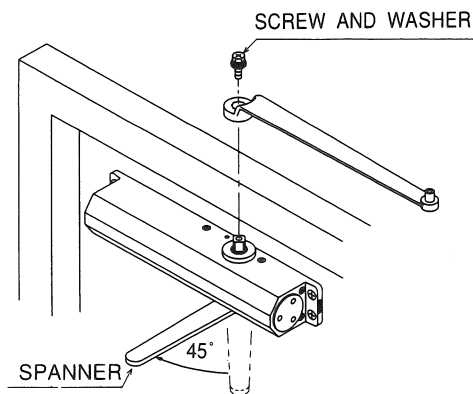


4. OPEN DOOR TO THE DESIRED HOLD-OPEN ANGLE AND FIRMLY FASTEN LOCKING BOLT WITH A SPANNER.

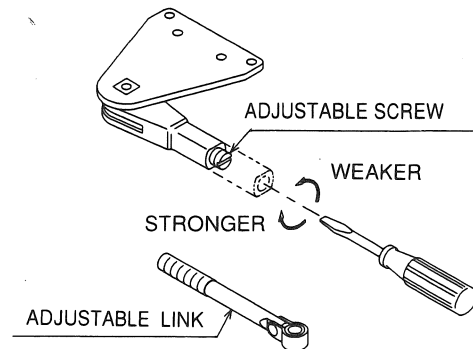


NOTE : DAMAGE TO THE HOLD-OPEN DEVICE MAY OCCUR IF THE LOCKING BOLT IS NOT FIRMLY TIGHTENED.

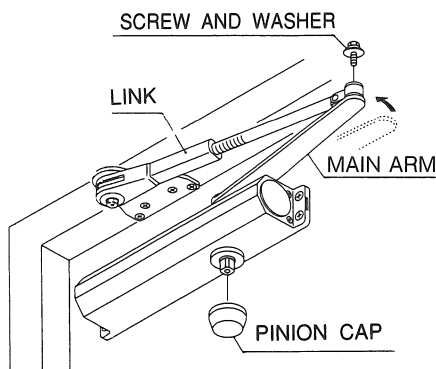
2. ATTACH ARM TO BODY.



5. SCREW OUT ADJUSTABLE LINK. TURN ADJUSTABLE SCREW CLOCKWISE FOR STRONGER HOLD-OPEN FORCE. TURN ADJUSTABLE SCREW COUNTER-CLOCKWISE FOR WEAKER HOLD-OPEN FORCE.



3. CONNECT ARM TO LINK.



NOTE : ADJUST LENGTH OF ADJUSTABLE LINK TO KEEP CLEAR BETWEEN ARM AND DOOR.