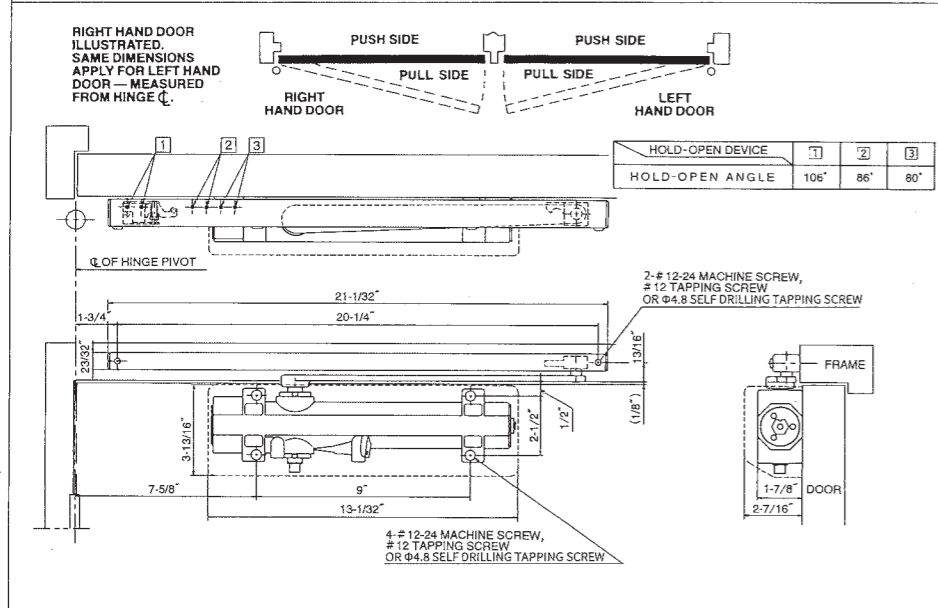
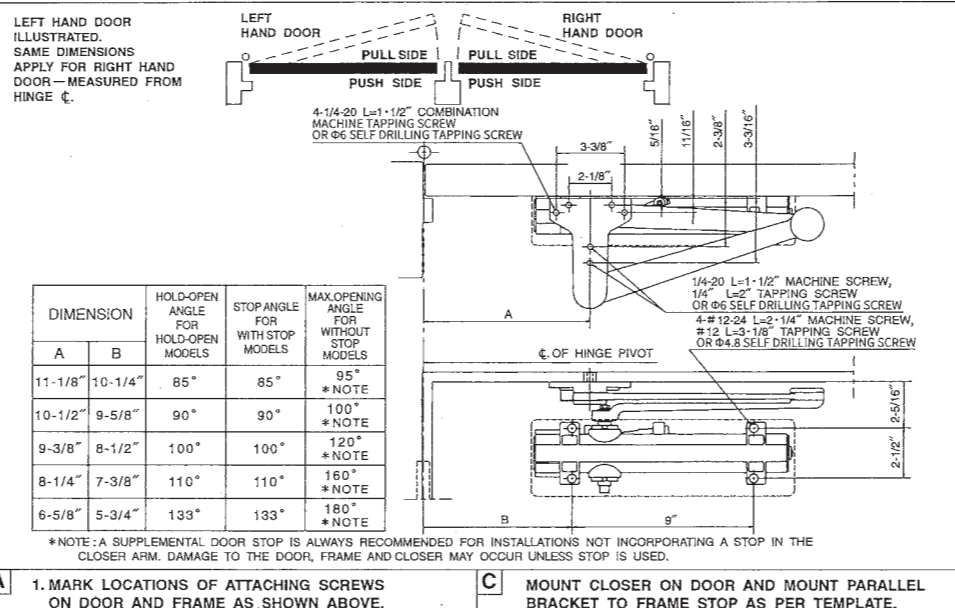


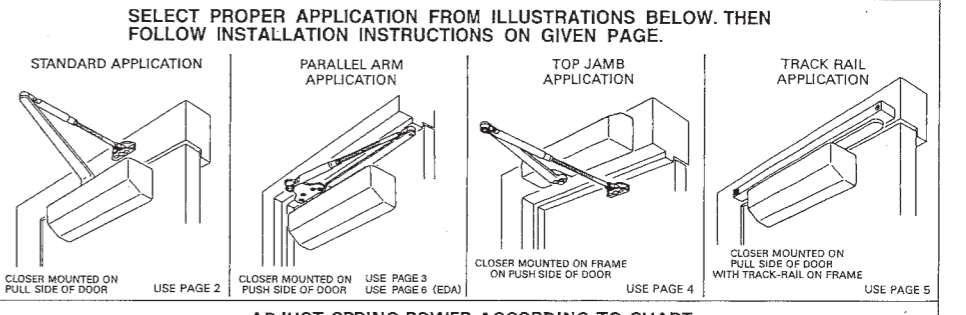
INSTALLATION INSTRUCTIONS TRACK RAIL APPLICATION
 CLOSER MOUNTED ON PULL SIDE OF DOOR WITH TRACK RAIL ON FRAME



INSTALLATION INSTRUCTIONS HEAVY DUTY PARALLEL ARM APPLICATION
 CLOSER MOUNTED ON PUSH SIDE OF DOOR



RYOBI DOOR CLOSER
 D-4550 AND D-4551 **INSTALLATION INSTRUCTIONS**

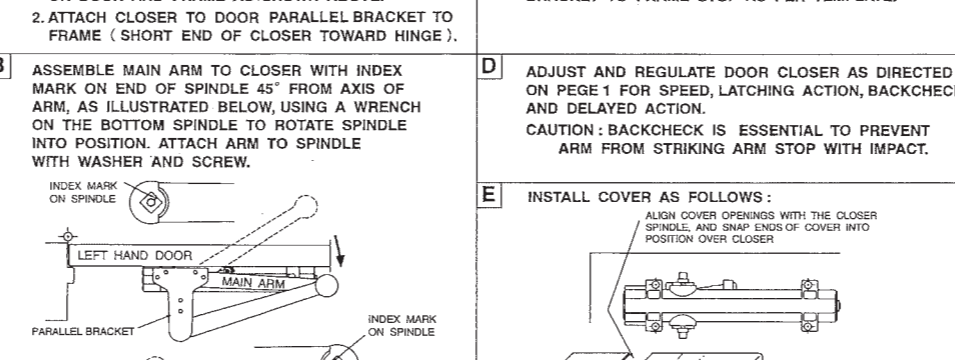
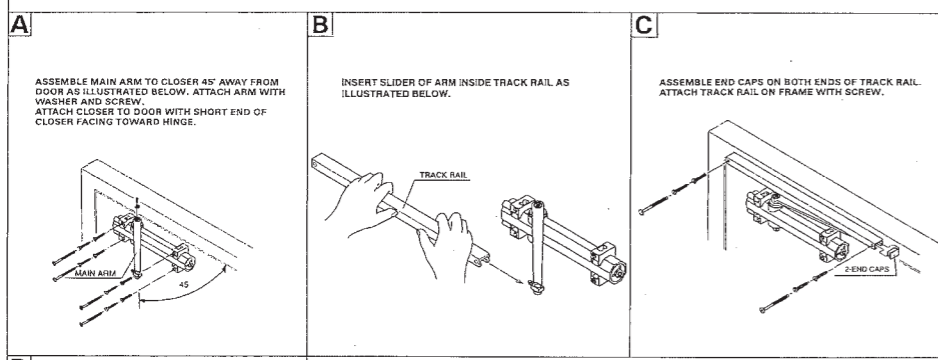


SELECT PROPER APPLICATION FROM ILLUSTRATIONS BELOW. THEN FOLLOW INSTALLATION INSTRUCTIONS ON GIVEN PAGE.

ADJUST SPRING POWER ACCORDING TO CHART (FOR STANDARD, PARALLEL ARM, AND TOP JAMB APPLICATIONS)

REFER TO PAGE 6 FOR TRACK RAIL APPLICATION

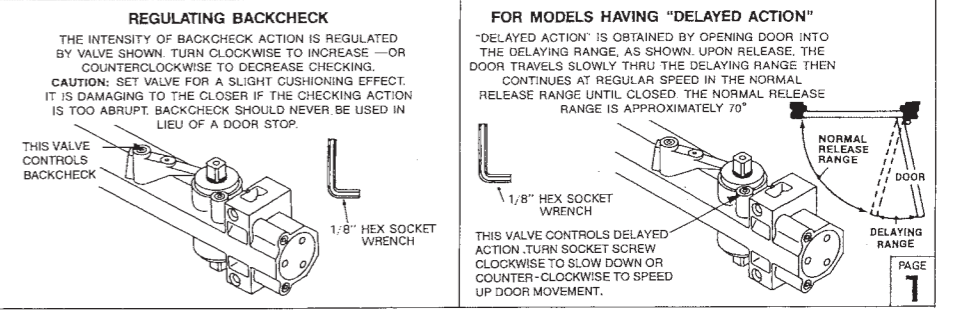
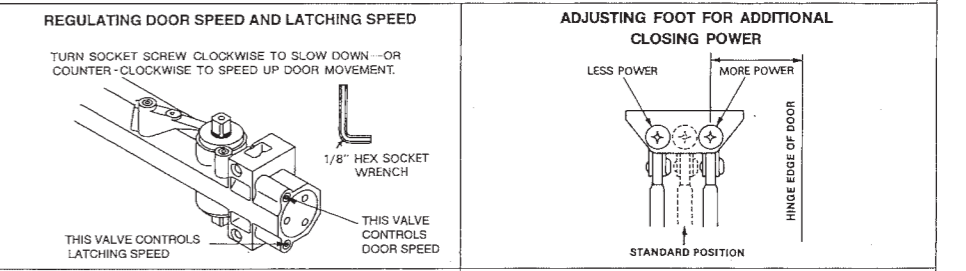
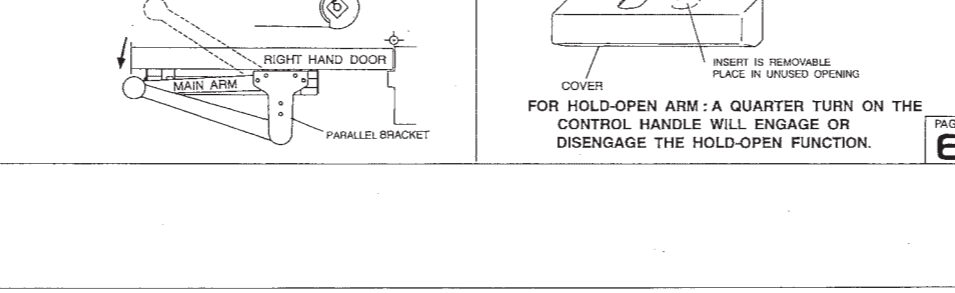
Closer size	Max. Door Width		Turns of Spring Adjusting Nut				Closing force (N·30°)
	Exterior	Interior	from Preset	from Minimum	from Preset	from Minimum	
1	Less than 2'0"	2'8"	-8	0	-2	0	5.1
2	2'6"	3'2"	-5	3	1	3	14.2
3	3'0"	3'8"	-3	5	6	8	22.7
4	3'6"	4'0"	3	11	14	16	38.5
5	4'0"	5'0"	6	14			56.5
6							75.3



FINAL ADJUSTMENT AND REGULATING PROCEDURES

ADJUST SPRING POWER ACCORDING TO CHART FOR TRACK RAIL APPLICATION

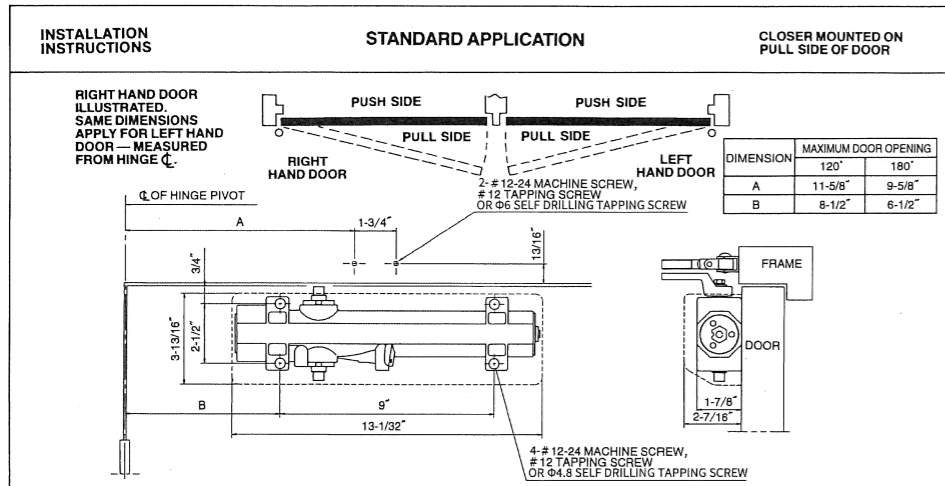
Closer size	Max. Door Width		Turns of Spring Adjusting Nut	
	Exterior	Interior	from Preset	from Minimum
1	less than 2' 6"	less than 2' 8"	-3 Turns	0
2	2' 6"	2' 8"	0	+3 Turns
3	2' 6"	3' 2"	+4 Turns	+7 Turns
4	3' 0"	3' 8"	+12 Turns	+19 Turns



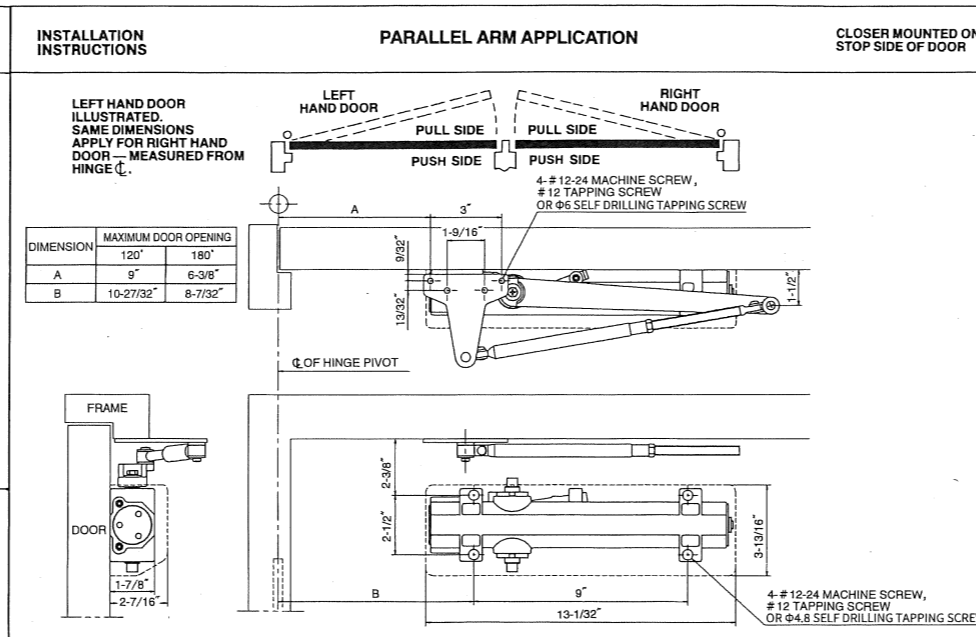
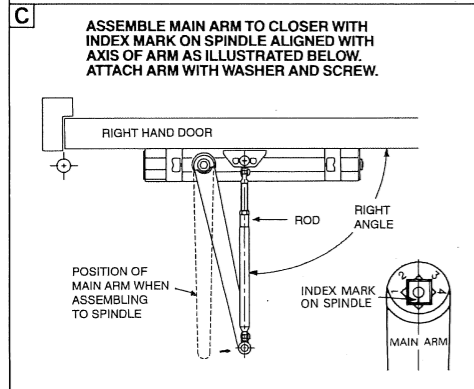
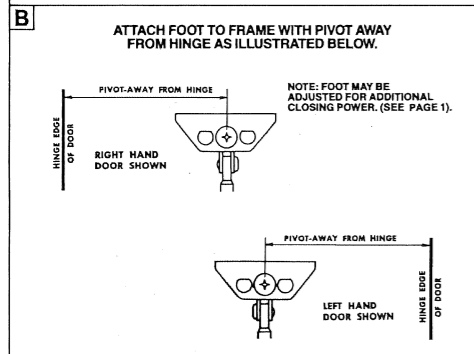
NOTE: A SUPPLEMENTAL DOOR STOP IS ALWAYS RECOMMENDED FOR INSTALLATIONS NOT INCORPORATING A STOP IN THE CLOSER ARM. DAMAGE TO THE DOOR, FRAME AND CLOSER MAY OCCUR UNLESS STOP IS USED.

FOR HOLD-OPEN ARM: A QUARTER TURN ON THE CONTROL HANDLE WILL ENGAGE OR DISENGAGE THE HOLD-OPEN FUNCTION.

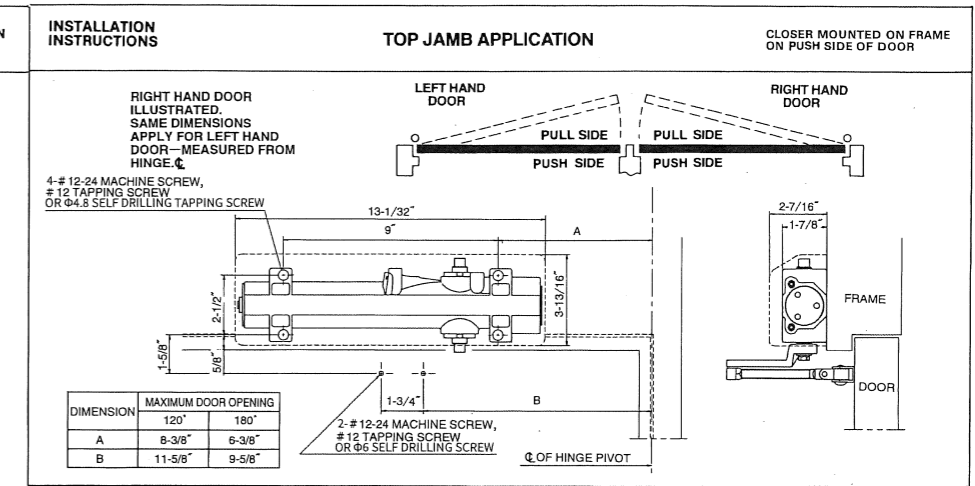
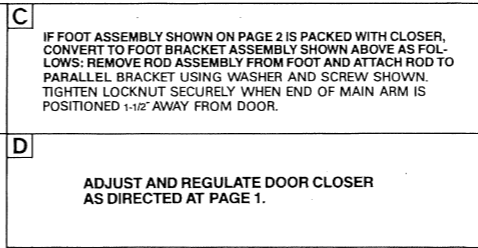
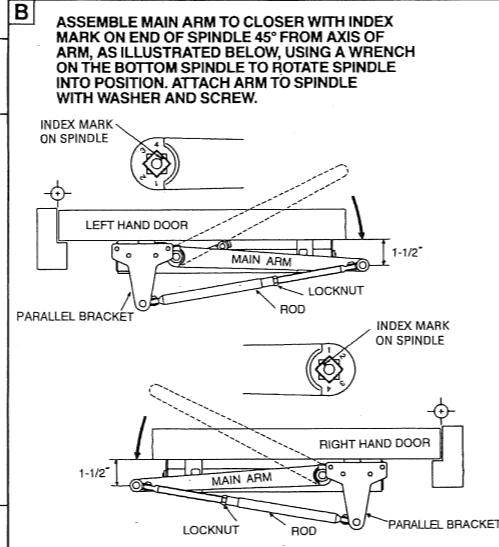
FOR MODELS HAVING "DELAYED ACTION" "DELAYED ACTION" IS OBTAINED BY OPENING DOOR INTO THE DELAYING RANGE, AS SHOWN. UPON RELEASE, THE DOOR TRAVELS SLOWLY THRU THE DELAYING RANGE THEN CONTINUES AT REGULAR SPEED IN THE NORMAL RELEASE RANGE UNTIL CLOSED. THE NORMAL RELEASE RANGE IS APPROXIMATELY 70°.



- A**
1. MARK LOCATION OF ATTACHING SCREWS ON DOOR AND FRAME AS SHOWN ABOVE.
 2. ATTACH CLOSER TO DOOR WITH SHORT END OF CLOSER FACING TOWARD HINGE.



- A**
1. MARK LOCATIONS OF ATTACHING SCREWS ON DOOR AND FRAME AS SHOWN ABOVE.
 2. ATTACH CLOSER TO DOOR AND PARALLEL BRACKET TO FRAME (SHORT END OF CLOSER TOWARD HINGE).



- A**
1. MARK LOCATION OF ATTACHING SCREWS ON DOOR AND FRAME AS SHOWN ABOVE.
 2. ATTACH CLOSER TO FRAME WITH SHORT END OF CLOSER FACING TOWARD HINGE.

