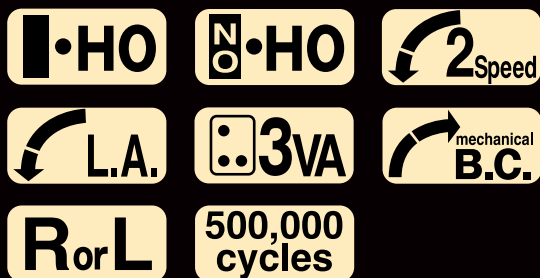


# RYOBI®

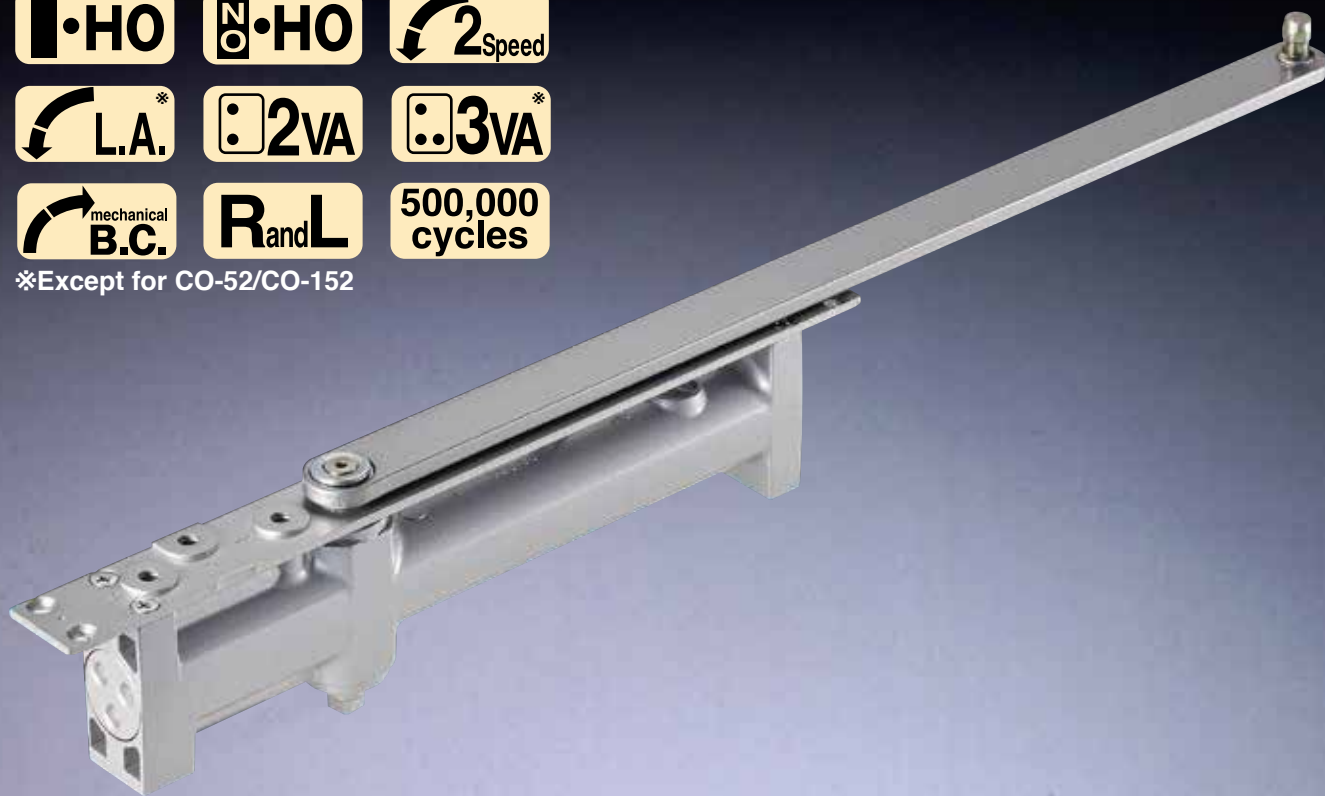
## COU SERIES



## CO SERIES



\*Except for CO-52/CO-152



# RYOBI

# CONCEALED DOOR CLOSERS



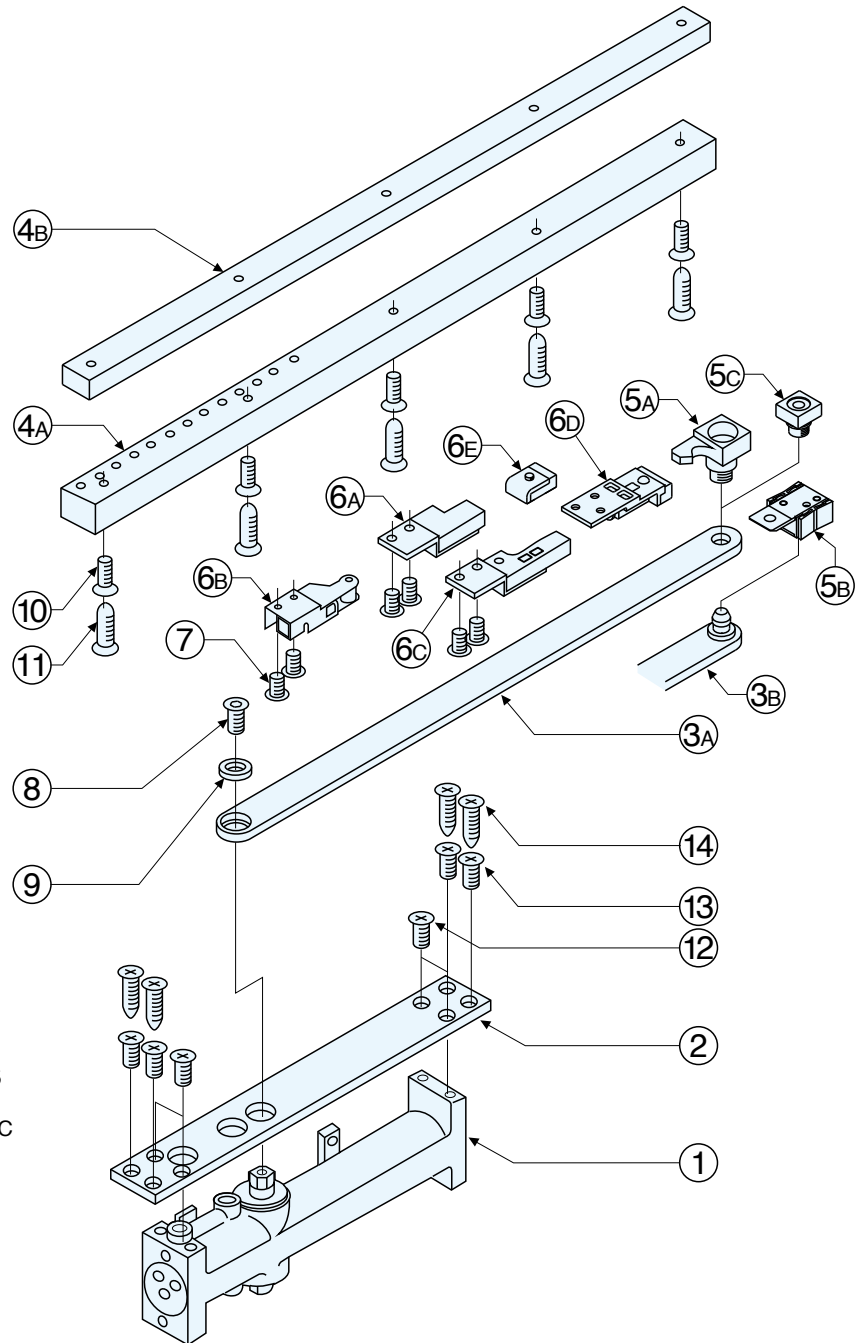




## Parts and accessories

No.	Name of Parts and Accessories				
1	Body				
2	Mounting plate				
3	3-A		3-B		
	Arm		Arm for ES-Stopper		
4	4-A		4-B		
	Guide rail		Guide rail for H type		
5	5-A		5-B		5-C
	Slider		Slider for ES-Stopper		Slider for H type
	6-A		6-B	6-C	6-D
6	Stopper (for "Without hold-open")	Stop metal fitting (for "With hold-open")	Backcheck device (for "Mechanical backcheck")	Stopper for ES-Stopper	Stopper for H type
7	⊕ Flat head machine screw (With M3 head) (M4, L=6-2pcs)				
8	Hexagon socket Flat head screw (M5, L=16)				
9	Washer				
10	⊕ Flat head machine screw (With M4 head) (M5, L=12-5pcs)				
11	⊕ Flat head tapping screw (φ 4, L=25-5pcs)				
12	COU-52,53	CO-52,53,54	CO-55,56		
	⊕ Flat head machine screw (with M4 head) (M5, L=12-4pcs)	⊕ Flat head machine screw (M5, L=12-4pcs)	⊕ Flat head machine screw (M6, L=12-4pcs)		
	⊕ Flat head machine screw (with M4 head) (M5, L=12-4pcs)	⊕ Flat head machine screw (M5, L=12-4pcs)	⊕ Flat head machine screw (M6, L=16-4pcs)		
13	⊕ Flat head tapping screw (φ 4, L=25-4pcs)	⊕ Flat head tapping screw (φ 5, L=30-4pcs)	-		
14	⊕ Flat head tapping screw (φ 4, L=25-4pcs)	⊕ Flat head tapping screw (φ 5, L=30-4pcs)	-		

- Stopper 6-A is equipped for "without hold-open type". COU-52,53,CO-52,53,54,55,56
- Stop metal fitting 6-B (hold open device) is equipped for "with hold open type". COU-152,153,CO-152,153,154,155
- Backcheck device 6-C is equipped for "with mechanical backcheck type". COU-52BC,53BC,CO-52BC,53BC,54BC



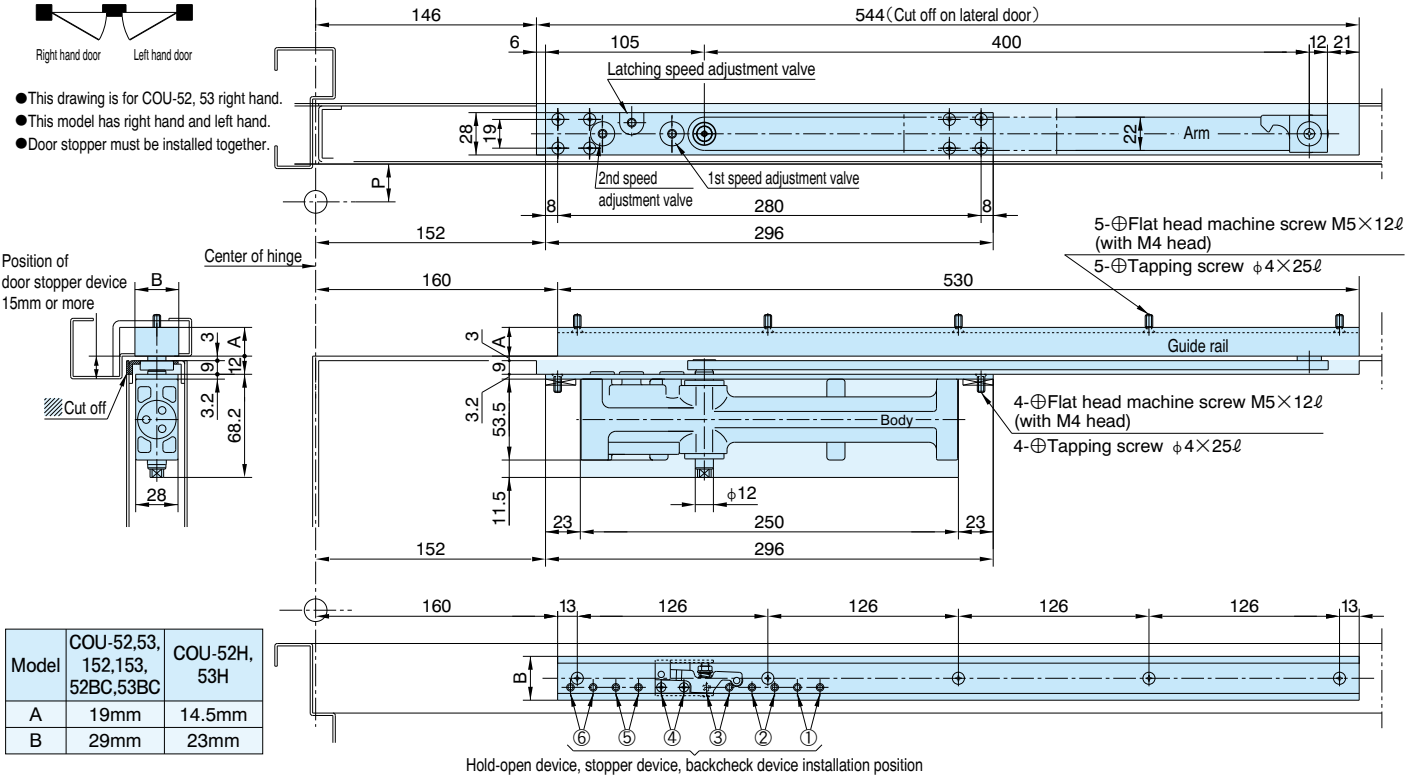
# CONCEALED DOOR CLOSERS

## DRAWING

### Size 2, 3 (Thinner body type)

Model				Applicable door size		Applicable door thickness (mm)		Type	"P" dimension (offset dimension)	Hold-open, stopper, backcheck device installation position					
Without hold-open	With hold-open	With backcheck	For Hotel Door (Thinner guide rail)	Width (mm)	Weight (kg)	Steel door	Wooden door			①	②	③	④	⑤	⑥
COU-52	COU-152	COU-52BC	COU-52H	900	45 or less	36 or more	40 or more	Maximum. Opening angle	20	75°	80°	86°	91°	97°	104°
COU-53	COU-153	COU-53BC	COU-53H	950	65 or less	36 or more	40 or more								

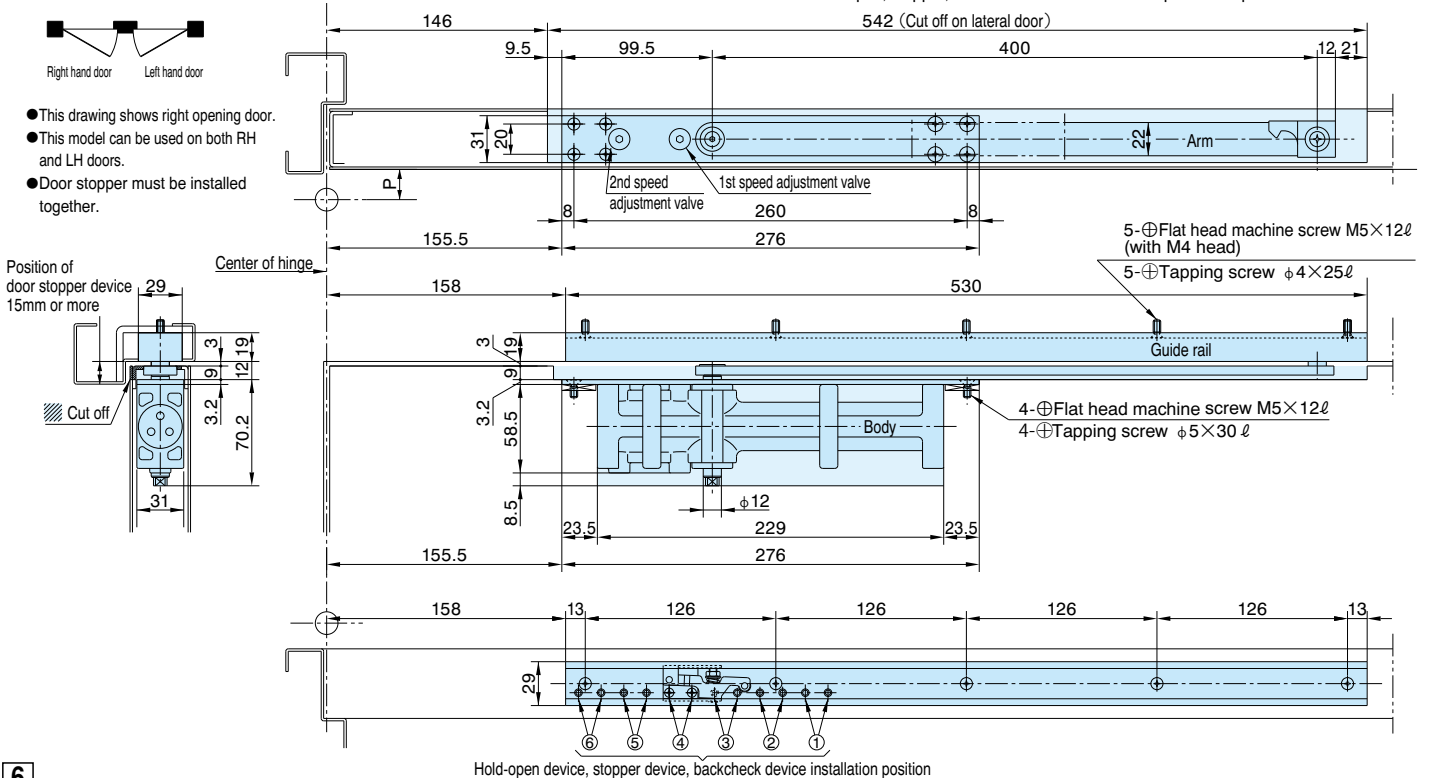
Hold-open, stopper, backcheck device installation position depends on "P" dimension.



### Size 2

Model			Applicable door size		Applicable door thickness (mm)		Type	"P" dimension (offset dimension)	Hold-open, stopper, backcheck device installation position					
Without hold-open	With hold-open	With backcheck	Width (mm)	Weight (kg)	Steel door	Wooden door			①	②	③	④	⑤	⑥
CO-52	CO-152	CO-52BC	900	45 or less	40 or more	45 or more	Maximum. Opening angle	20	76°	81°	86°	92°	98°	105°

Hold-open, stopper, backcheck device installation position depends on "P" dimension.



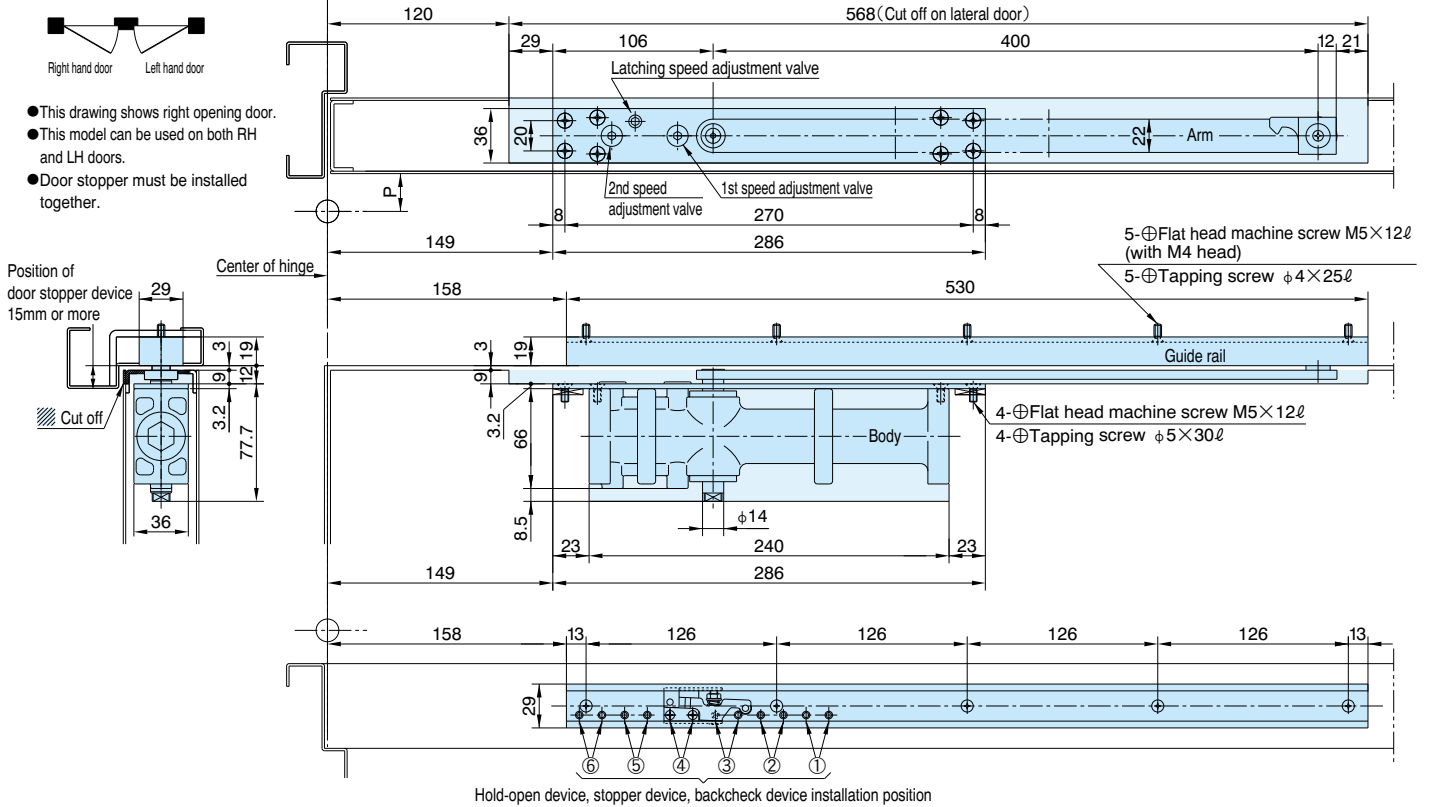
# CONCEALED DOOR CLOSERS

## DRAWING

### Size 3, 4

Model			Applicable door size		Applicable door thickness (mm)		Type	"P" dimension (offset dimension)	Hold-open, stopper, backcheck device installation position					
Without hold-open	With hold-open	With backcheck	Width (mm)	Weight (kg)	Steel door	Wooden door			①	②	③	④	⑤	⑥
CO-53	CO-153	CO-53BC	950	65 or less	45 or more	50 or more	Maximum. Opening angle	20	76°	81°	86°	92°	98°	105°
CO-54	CO-154	CO-54BC	1050	85 or less	45 or more	50 or more								

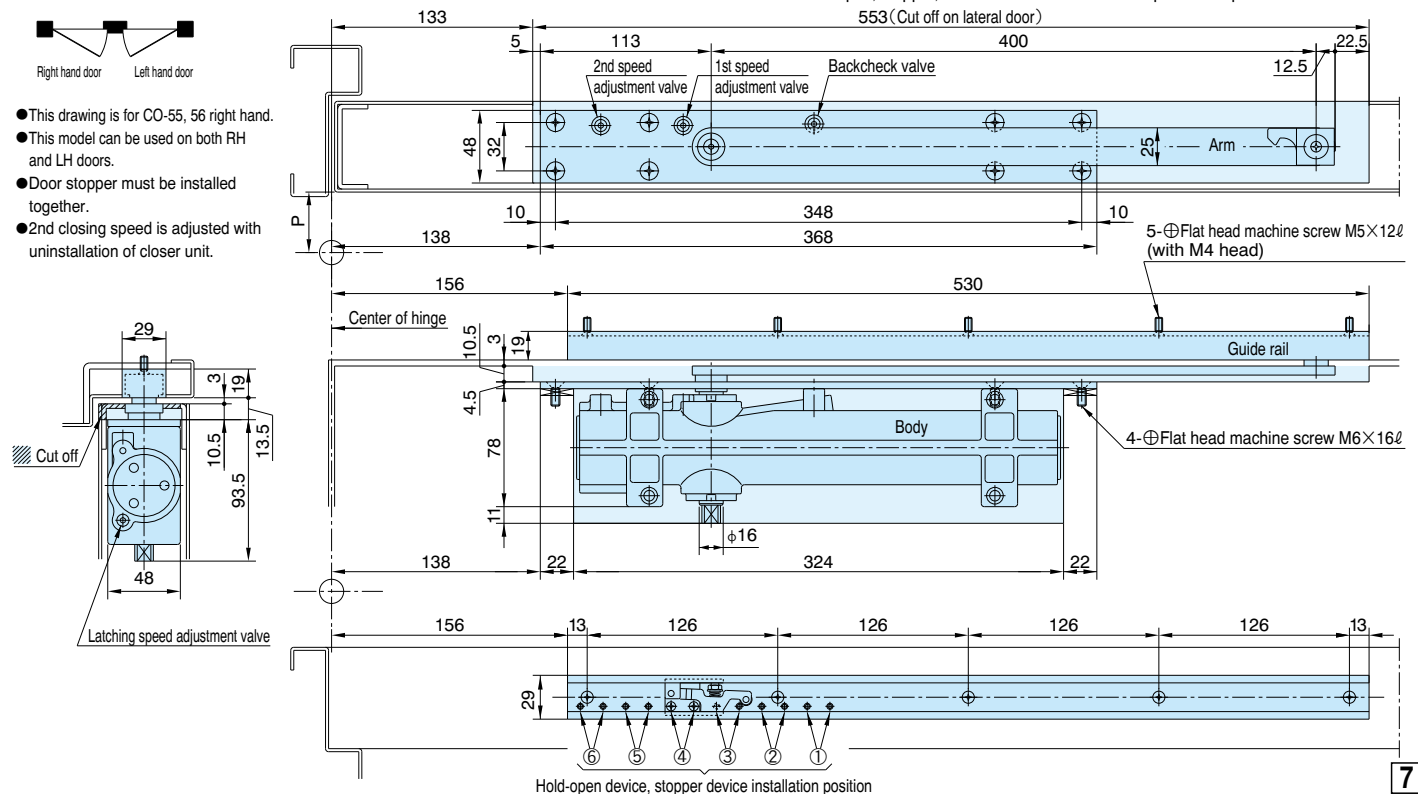
Hold-open, stopper, backcheck device installation position depends on "P" dimension.



### Size 5, 6

Model		Applicable door size		Applicable door thickness (mm)		Type	"P" dimension (offset dimension)	Hold-open device, stopper device installation position					
Without hold-open	With hold-open	Width (mm)	Weight (kg)	Steel door	Wooden door			①	②	③	④	⑤	⑥
CO-55	CO-155	1200	120 or less	60 or more	65 or more	Maximum. Opening angle	20	77°	82°	87°	93°	99°	106°
CO-56		1500	180 or less	60 or more	65 or more								

Hold-open, stopper, backcheck device installation position depends on "P" dimension.



**RYOBI LIMITED**

5-2-8 Toshima, Kita-ku Tokyo 114-8518, Japan

Tel. 81-3-3927-5536 Fax. 81-3-3927-5527

RYOBI is a registered trade mark of Ryobi Limited

